



# DATA SHEET FOR FLP WALL MOUNTING FAN

## TECHNICAL DATA:

PRODUCT NAME	: CAT NO : WMF / 140
ENCLOSURE	: FLAME PROOF (Ex -d ), Gas Group IIA , IIB, IIC As per IS/IEC 60079-1 : 2014
PROTECTION	: WEATHER PROOF IP – 65 AS PER IS/IEC 60529:2001 (Reaffirmed 2014)
AREA CLASSIFICATION	: Ex db IIC T6 Gb ( EX tb / tc IIIC T85 C Db/Dc (ZONE 1 & 2 & Zone 21 & 22 )
CERTIFICATION	: CIMFR , BIS , PESO
TEMPERATURE CLASS	: T 6
BLADE MATERIAL	: ALUMINIUM ( NON SPARKING )
FINISH	: EPOXY POWDER COATED SHADE AS PER IS : 5
EARTHING	: 1 No INTERNAL & 2 No's EXTERNAL
HARDWARE	: STAINLESS STEEL
GASKET	: 'O' RING ENDLESS GASKET NEOPRENE / SILICON
MOTOR	: MOC – CAST IRON
INSULATION	: CLASS F INSULATION.
NAME PLATE	: SS NAME PLATE CUM WARNING PLATE
ENTRIES	: 1 No's M20 / ½ " NPT / EQUIVALENT

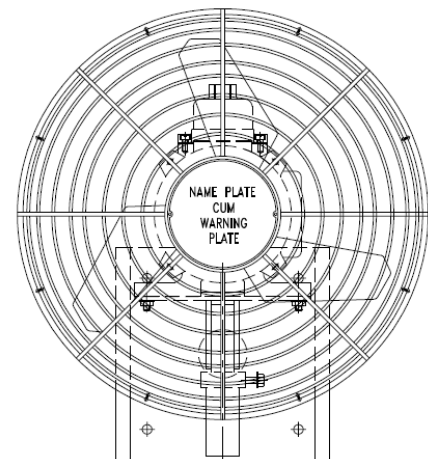


## SELECTION CHART

SR.NO	SIZE	MOTOR HP	SPEED RPM	C.F.M	VOLTAGE
1	415(18")	0.25	1440	5400	230 V / 415 V
2	457(18")	0.25	1440	9000	230 V / 415 V
3	610(24")	0.25	1440	13000	230 V / 415 V
4	760(30")	0.25	1440	19000	230 V / 415 V
5	760(30")	0.33	1440	19000	230 V / 415 V
6	900(36")	0.33	1440	25000	230 V / 415 V

## OPTIONS

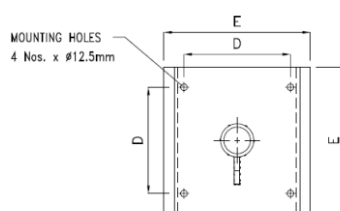
SR.NO	PARTICULAR	OPTIONS
1.	GLAND & PLUG	BRASS / SS / ALUMINIUM
2.	COLOUR SHADE	631, 632, 355, 7031, 7032 etc.
3.	VOLTAGE	SINGLE PHASE 230 V AC / THREE PHASE 415 V AC
4.	RPM	920 / 1440



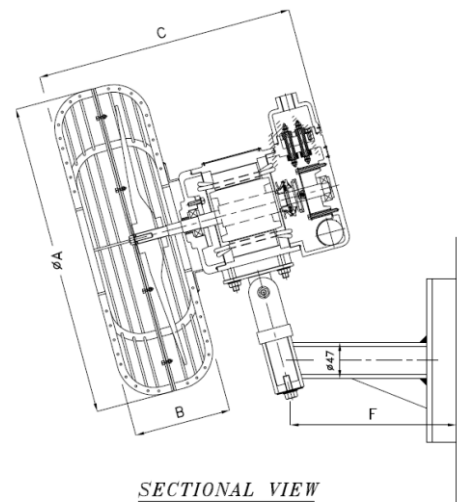
FRONT VIEW

Flp-wp Wall Mounting Fan Size Options with Dimensions & Rating :

Sr.	Fan Size	ØA	B	C	D	E	F	HP	Phase
1	12"	378	127	432	200	264	405	0.25 HP	Single Phase
2	16"	485	127	432	200	264	405	0.25 HP	Single Phase
3	18"	534	127	432	200	264	405	0.33 HP	Three Phase
4	24"	690	127	457	200	264	405	1 HP	Three Phase
5	30"	850	152	508	200	264	405	1 HP	Three Phase
6	36"	1000	152	508	200	264	405	1 HP	Three Phase



MOUNTING PLATE  
(MATERIAL : M.S.)



SECTIONAL VIEW